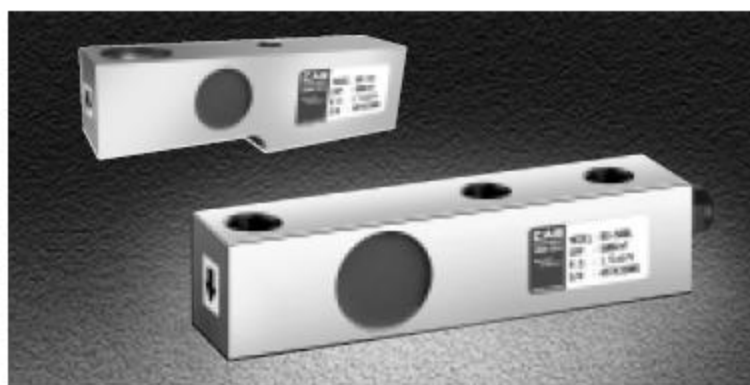


BS Shear beam load cell, 250kgf - 10tf



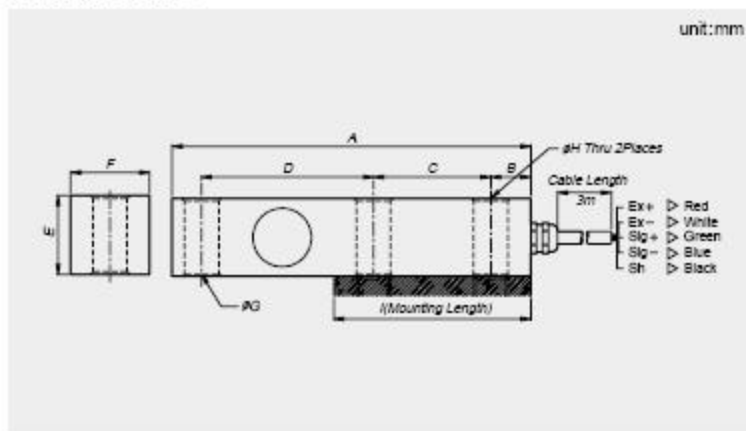
FEATURES

- Low price high accuracy
- Protection class IP65

SPECIFICATIONS

Max. capacity	kgf	250, 500	1tf, 2tf, 3tf, 5tf, 10tf
Rated output	mV/V	1.5 ± 0.0037	2.0 ± 0.005
Zero balance	mV/V	0 ± 0.015	0 ± 0.02
Combined error	%		0.03
Repeatability	%		0.01
Creep for 30min.	%		0.03
Temperature effect on			
Zero Value	%/10°C		0.028
Output value	%/10°C		0.015
Excitation			
Recommended	V		10
Maximum	V		15
Resistance			
Input	Ω		400 ± 20
Output	Ω		350 ± 5
Insulation	MΩ		> 2,000
Compensated temperature range	°C		-10 to +40
Operating temperature range	°C		-20 to +80

DIMENSIONS



Material

Nickel plated steel

Mounting

Capacity	Hexagon head-Bolt	Tightening torque
250kgf - 2tf	M14 × 2.0(10.9)	166Nm
5tf	M18 × 1.5(10.9)	350Nm
10tf	M24 × 2.0(10.9)	860Nm

Cable

Braided shield 4-wire round cable with Urethane-jacket

Model	Capacity	A	B	C	D	E	F	G	H	I
BS-250L	250kgf	145	20	40	72	34	30	16.0	14.5	80
BS-500L	500kgf									
BS-1	1tf									
BS-2	2tf	205	25	55	105	48	38	20.5	20.5	105
BS-5	5tf									
BS-10	10tf	273	36	90	112.5	63	60	27.0 CB ø50 DP12.5	27	145