

# BSS Stainless shear beam load cell, 500kgf - 5tf



## FEATURES

- Stainless steel construction
- OIML C3 approved (OIML R60)
- Ex s II T4 approved
- Protection class IP67

## OPTIONS

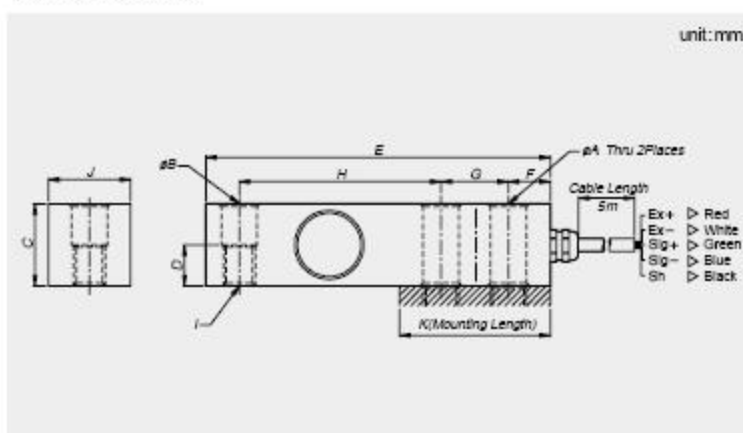
- OIML C3 approved



## SPECIFICATIONS

Max. capacity	kgf	500, 1tf, 2tf, 3tf, 5tf	
Rated output	mV/V	2.0 ± 0.005	
Zero balance	mV/V	0 ± 0.02	
Accuracy class		D3	C3
Combined error	%	0.03	0.025
Repeatability	%	0.01	0.01
Creep for 30 min.	%	0.03	0.017
Temperature effect on			
Zero Value	%/10°C	0.028	0.014
Output value	%/10°C	0.014	0.011
Excitation			
Recommended	V	10	
Maximum	V	15	
Resistance			
Input	Ω	350 ± 3.5	
Output	Ω	350 ± 3.5	
Insulation	MΩ	> 2,000	
Compensated temperature range	°C	-10 to +40	
Operating temperature range	°C	-30 to +80	

## DIMENSIONS



## Material

Stainless Steel

## Mounting

Capacity	Hexagon head-Bolt	Tightening torque
500kgf - 2tf	M12 × 1.75(10.9)	100Nm
3tf - 5tf	M18 × 1.5(10.9)	350Nm

## Cable

Braided shield 4-wire round cable with Urethane-jacket

## Mounting Accessory

BSS-TW

Model	Capacity	A	B	C	D	E	F	G	H	I	J	K
BSS-500L	500kgf	13.5	13.5	31.7	15.8	130	15.8	25.4	76.2	M12 × 1.75	31.7	52
BSS-1	1tf											
BSS-2	2tf											
BSS-3	3tf	20.0	20.0	38.1	19.1	171.5	19.0	38.1	95.3	M18 × 1.5	38.1	76.2
BSS-5	5tf											