

Cardinal LOAD CELLS

SERIES LFB - BEAM TYPE - FOR LIGHT TO MEDIUM WEIGHING



- Capacities from 125 kg to 1250 kg
- Highly resistant to eccentric loads
- Waterproof construction
- Stainless steel for corrosion resistance
- Direct mounting to weighing platform
- 3 m integral shielded cable
- 2 year warranty

Cardinal's 125 kg to 1250 kg capacity beam type load cells have a low profile design, and are made specifically for light to medium weighing applications such as floor scales. Their design makes them highly resistant to eccentric loads. Stainless steel construction offers strength and the ultimate in protection when caustic or corrosive environments are encountered.

These cells are potted with a proprietary sealant that offers superior waterproofing, while remaining flexible over the life of the load cell. This special compound protects the load cell strain gages, and over a broad temperature range, has no effect on load cell precision accuracy.

Provided with the cell are mounting holes for securing the cell, and a 3 m integral multiconductor shielded cable secured by a compression strain relief seal.

SPECIFICATIONS

Mechanical Data

Rated Capacity, (R.C.) E_{max} . 125, 250, 500 & 1250 kg
Minimum Dead Load 0 kg
Safe Load Limit 150% R.C.
Ultimate Load 300% R.C.
Deflection at R.C. 0.25 to 0.38 mm
Spring Element Material..... 17-4 PH
Net Weight..... 0.5 kg

Certificate Data

Issuing Body OIML
Certificate Number R60/1991-DK-00.02
Accuracy Class C3
Maximum Number of Load
Cell Intervals, n_{max} 3000
Humidity Symbol CH
Minimum Load Cell
Verification Interval V_{min} 0.023, 0.046, 0.09 & 0.23 kg

Electrical Data

Rated Output 2mV/V
Excitation Voltage,
Recommended 10 VDC
Excitation Voltage,
Maximum 15 VDC
Cable Length 3m
Terminal Resistance
Excitation 395 ± 12 ohms
Signal 350 ± 5 ohms
Zero Load Output $\pm 1\%$ R.C.
Insulation Resistance >5000 megohms at
50 VDC

Environmental Data

Temperature Compensation
Range -10° to $+40^{\circ}$ C
Operating Temperature Range .. -29° to $+93^{\circ}$ C
Construction & Protection
Code CP-55 HU
Barometric Pressure Effect
on Zero Load Output <1 v (min)/1kPa

Color Code

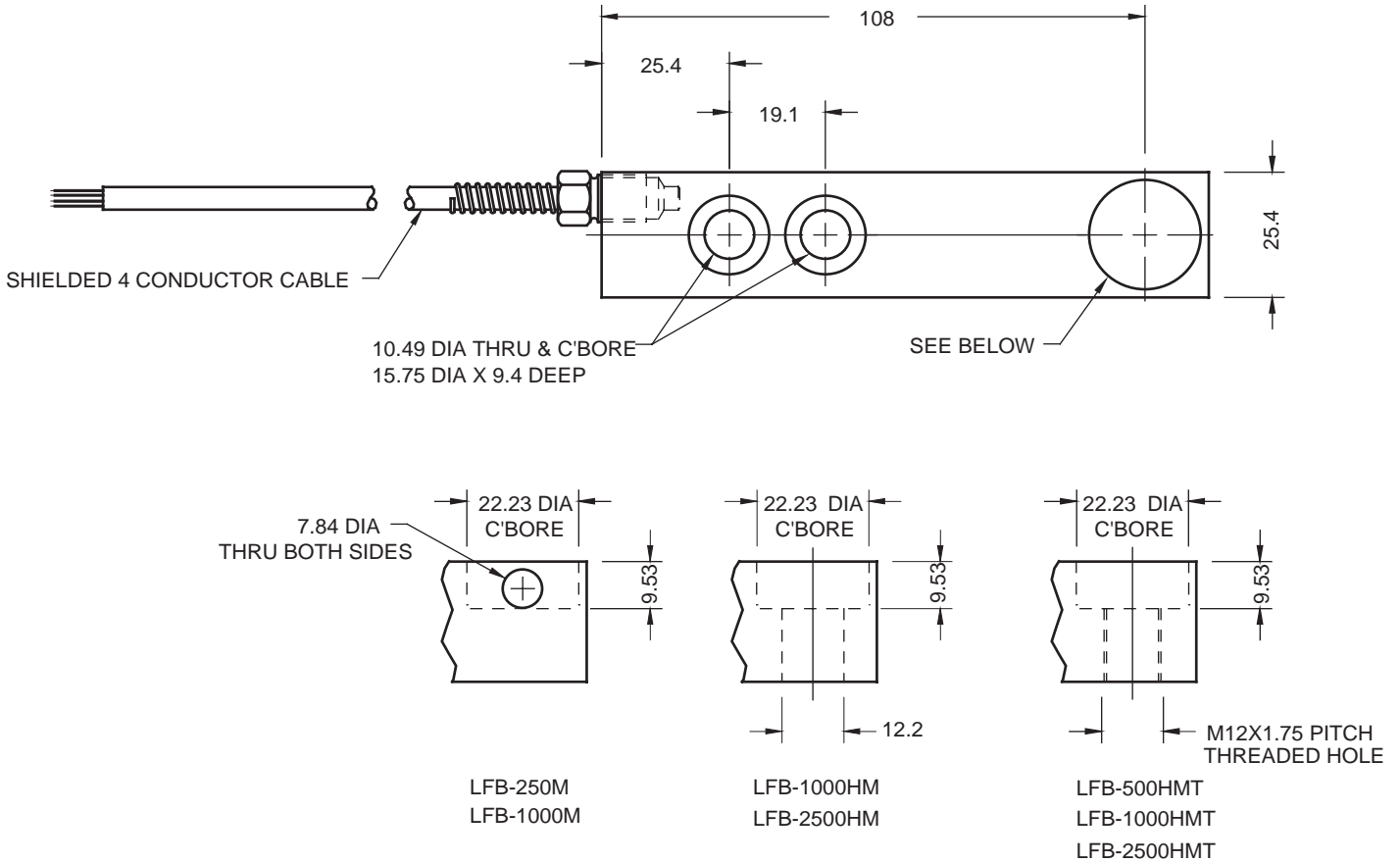
+ Excitation Green | - Signal White
- Excitation Black | + Signal Red

Cardinal BEAM TYPE LOAD CELLS

- Model LFB-250M- 125 kg capacity
- Model LFB-500M - 250 kg capacity
- Model LFB-1000M - 500 kg capacity
- Model LFB-2500M - 1250 kg capacity

All models are of stainless steel construction.

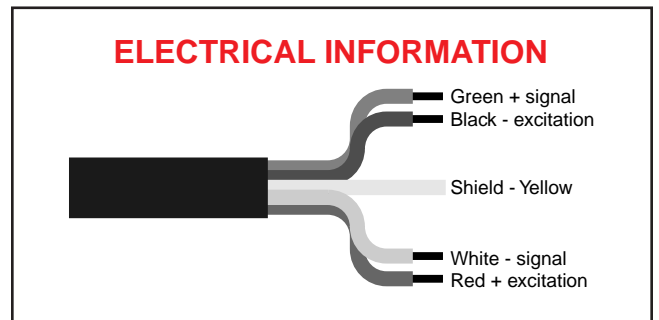
All dimensions are in mm unless otherwise noted.



This load cell meets the requirements of OIML R60 and has been issued OIML certificate no. R60/1991-DK-00.02.



Cardinal Scale reserves the right to improve, enhance and modify features and specifications without prior notice.



Cardinal
Cardinal Scale Manufacturing Co.

Printed in USA • © Copyright 2001, Cardinal Scale Mfg. Company • MWC/0801/263-4A

203 East Daugherty
P.O. Box 151
Webb City, Mo 64870

Phone: 417•673•4631
Fax: 417•673•5001
www.cardinalscales.com

Bulletin 263-4A