

Cardinal LOAD CELLS

SERIES TB - BEAM TYPE - FOR MEDIUM TO HEAVY WEIGHING



- Capacities of 450 kg, 1100 kg, and 1800 kg
- Waterproof construction
- Stainless steel for corrosion resistance
- Direct mounting to weighing platform
- 3 m integral shielded cable
- 2 year warranty

Cardinal's TB series, medium capacity beam load cells, are manufactured for medium to heavy weighing operations such as bench or floor scales. Stainless steel construction offers strength, and the ultimate in protection when caustic or corrosive environments are encountered. Heavy capacity single point cells are available in 450 kg to 1800 kg capacities. The unique design of these beam load cells offers cost-saving advantages for many weighing applications.

These cells are potted with a proprietary sealant that offers superior waterproofing, while remaining flexible over the life of the load cell. This special compound protects the load cell strain gages, and over a broad temperature range has no effect on load cell precision accuracy.

All load cells have threaded mounting holes, and a 3 m integral multiconductor cable secured by a strain relief seal.

SPECIFICATIONS

Mechanical Data

Rated Capacity, (R.C.) E_{max} . 450, 1100, & 1800 kg
Minimum Dead Load 0 kg
Safe Load Limit 150% R.C.
Ultimate Load 300% R.C.
Deflection at R.C. 0.33 to 0.64 mm
Spring Element Material 17-4 PH
Net Weight 0.82 kg

Certificate Data

Issuing Body OIML
Certificate Number R60/1991-DK-97.03
Accuracy Class C3
Maximum Number of Load
Cell Intervals, (n_{max}) 3000
Single/Multiple S
Humidity Symbol CH
Minimum Load Cell
Verification Interval (V_{min}) .. 0.08, 0.19, 0.32 kg

Electrical Data

Rated Output 2mV/V
Excitation Voltage,
Recommended 10 VDC
Excitation Voltage,
Maximum 15 VDC
Cable Length 3m
Terminal Resistance
Excitation 400 ± 7 ohms
Signal 350 ± 5 ohms
Zero Load Output $\pm 1\%$ R.C.
Insulation Resistance >5000 megohms at
50 VDC

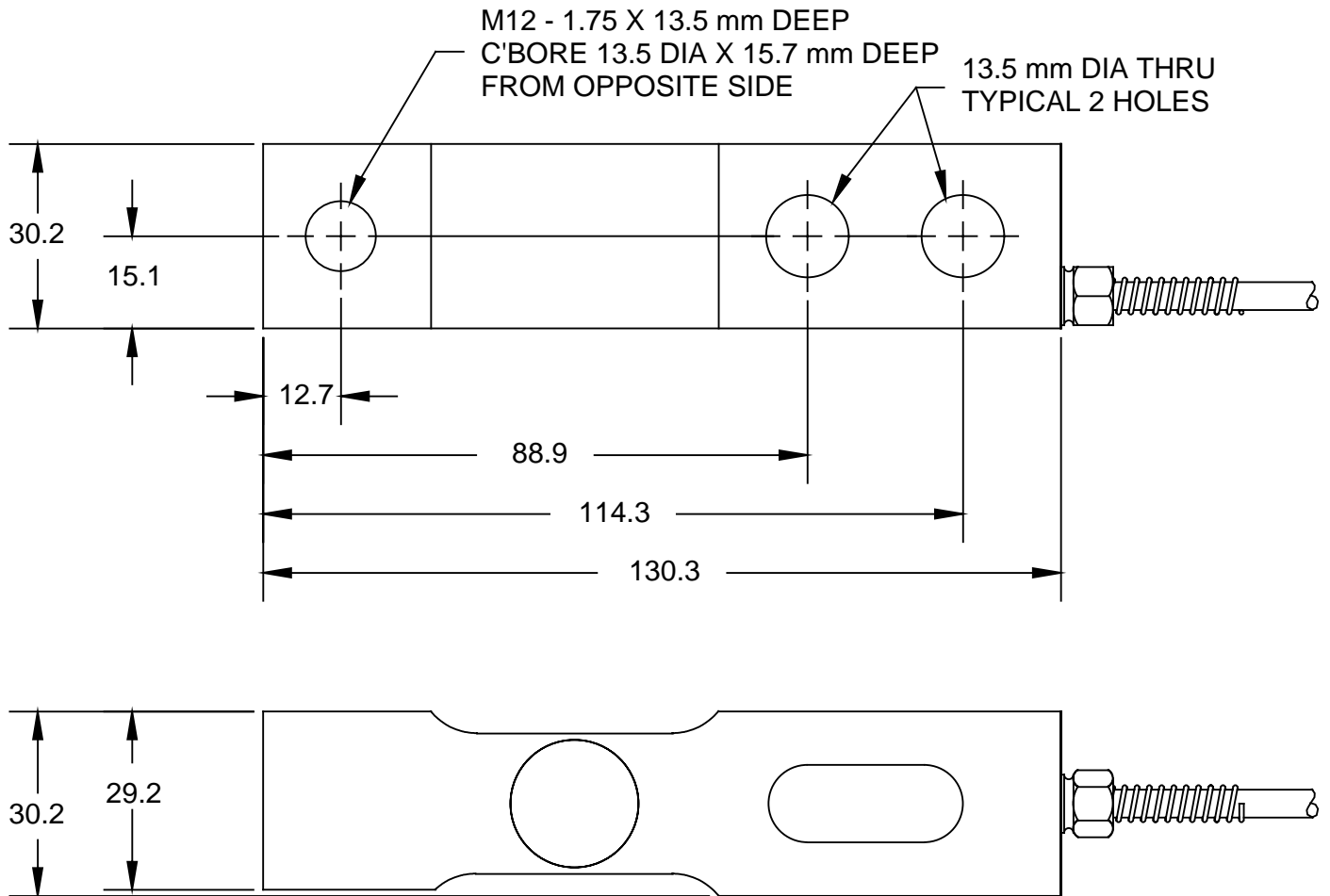
Environmental Data

Temperature Compensation
Range -10° to $+40^{\circ}$ C
Operating Temperature Range .. -29° to $+93^{\circ}$ C
Construction & Protection
Code CP-56 HU, IP67
Barometric Pressure Effect
on Zero Load Output <1 v (min)/1kPa

Color Code

+ Excitation Red | - Signal White
- Excitation Black | + Signal Green

Cardinal BEAM TYPE LOAD CELLS



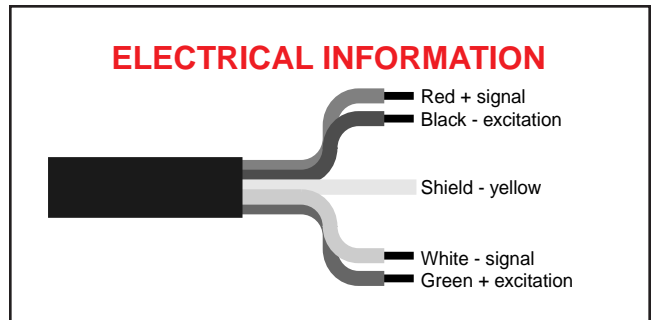
All dimensions are in mm unless otherwise noted.



This load cell meets the requirements of OIML R60 and has been issued an OIML certificate no. R60/1991-DK-97.03.



Cardinal Scale reserves the right to improve, enhance and modify features and specifications without prior notice.



203 East Daugherty
P.O. Box 151
Webb City, Mo 64870

Phone: 417•673•4631
Fax: 417•673•5001
www.cardinalscales.com