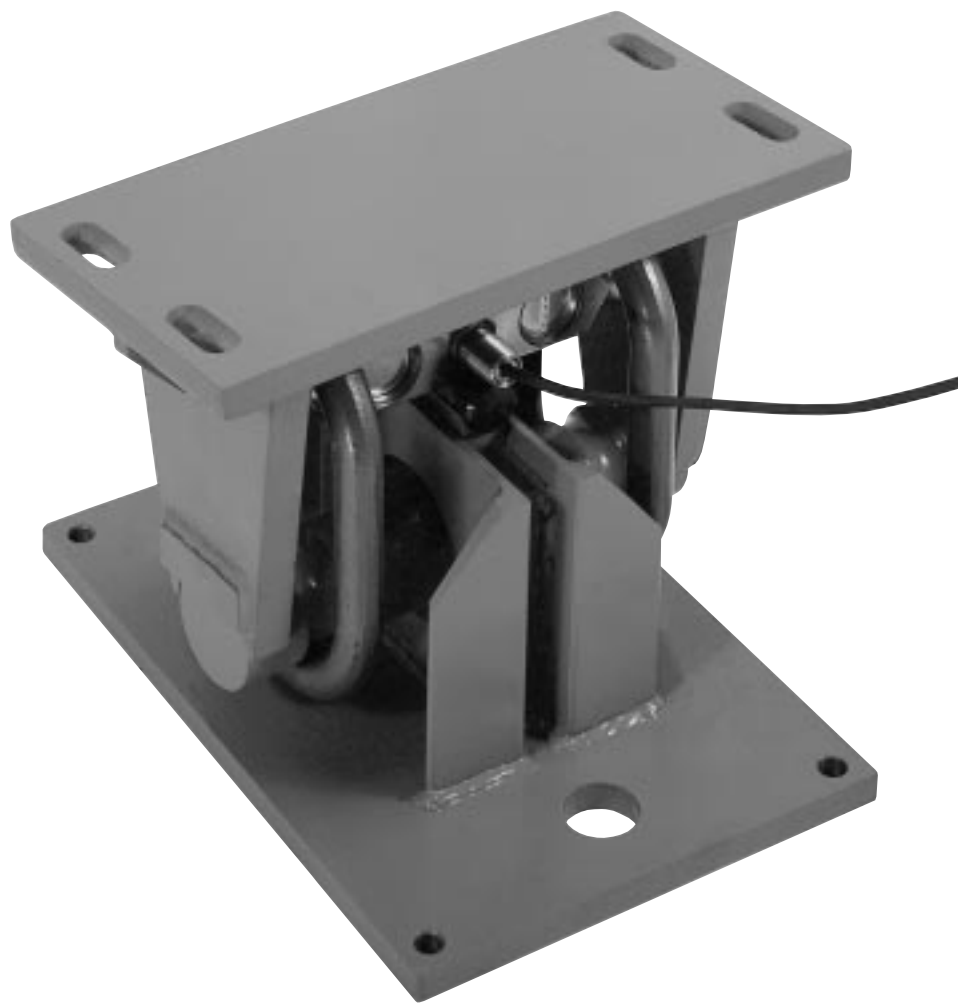




HIGH CAPACITY LOAD CELL MOUNT ASSEMBLY

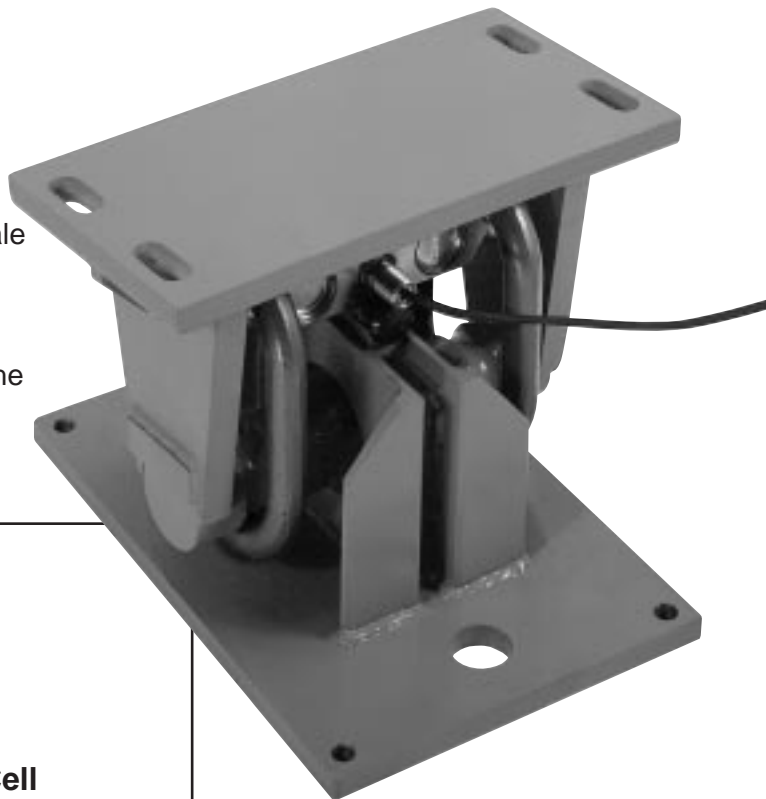


Welded Steel Construction for Lifetime Service

The high-capacity load cell suspension assembly furnishes high performance in a variety of medium to heavy-capacity truck, tank or hopper scales, as well as for other industrial weighing applications. This unique load cell mount also eliminates the need for check rods or expansion assemblies, and is supplied with quick connections for easy installation and removal.

“Cardinal-Built” Means Superior Performance

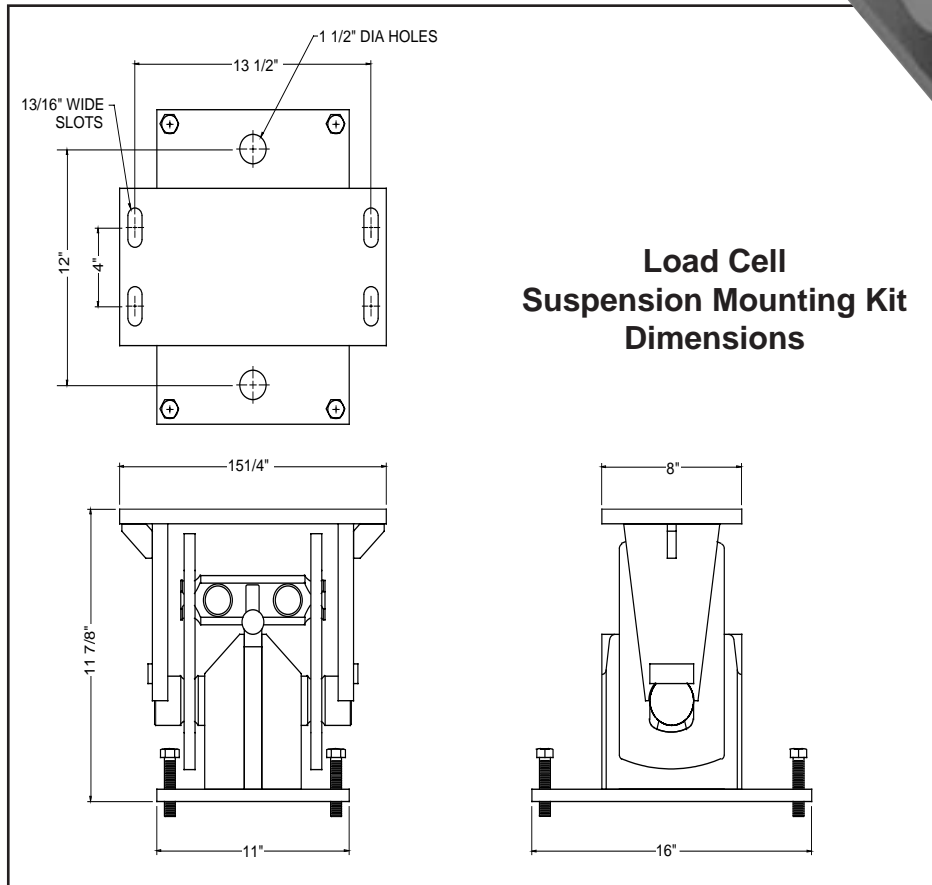
The double-link suspension system protects sensitive scale components from abuse and wear. This protection is especially important for high volume, heavy loads which can accelerate wear and lead to premature failure. By placing our load cells within the protective framework of the double-link suspension system, we insure long-term accuracy and use even under the most demanding conditions.



Cardinal
Model DB-5000S
Stainless Steel Load Cell



DB-5000S is an NTEP certified load cell for Class III L use. The load cell is fabricated from stainless steel to provide the ultimate in protection when caustic, corrosive, or wet environments are encountered. Load cells are hermetically sealed for absolute water protection (NEMA 6P/IP67).



**Load Cell
Suspension Mounting Kit
Dimensions**

Specifications

Load Cell Capacity: 50,000 lb
 Overload: 150% - safe;
 300% - ultimate
 Output mv/v: $2 \pm 0.1\%$
 Excitation Voltage: 15 VDC maximum
 Non-linearity: $\pm 0.03\%$ of rated output

Hysteresis: $\pm 0.03\%$ of rated output
 Non-repeatability: $\pm 0.02\%$ of rated output
 Creep: $\pm 0.03\%$ of load in 20 min.
 Temperature Range: 14° to 104°F - compensated
 -20° to + 200°F - operating

Each load cell is furnished with a 35' integral multiconductor cable secured by a strain relief seal.

Cardinal Scale reserves the right to improve, enhance or modify features and specifications without prior notice.



Cardinal Scale Manufacturing Co.
 P.O. Box 151, Webb City, MO 64870 USA
 Ph: 417-673-4631 or 1-800-441-4237 Fax: 417-673-5001
 Visit our Web site at <http://www.cardet.com>

Sold By:

